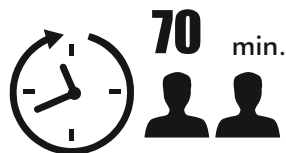
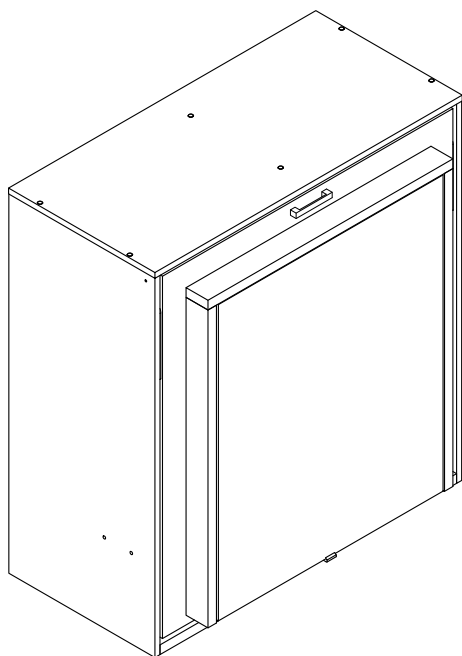


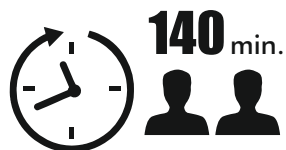


MULTIMO

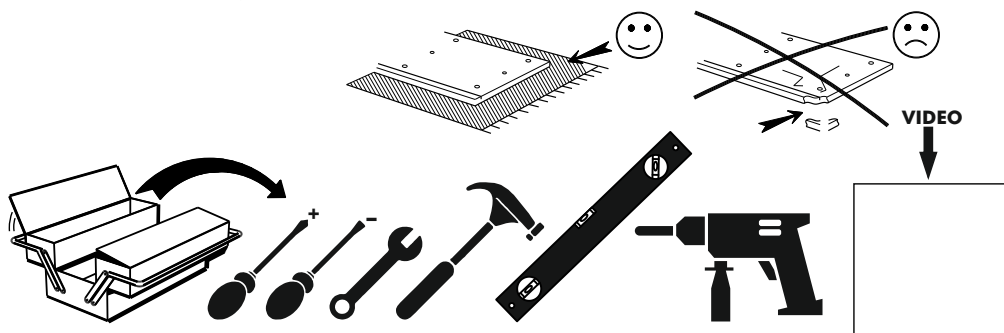
A 209-CAPSULE FOLDING SINGLE BED A 402-D SECRET TABLE MODULE



Technical Service



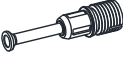



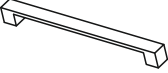


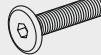


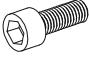
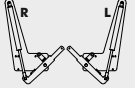

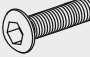


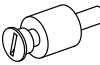


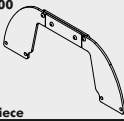



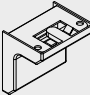

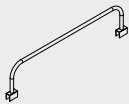
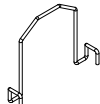



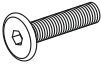



End User

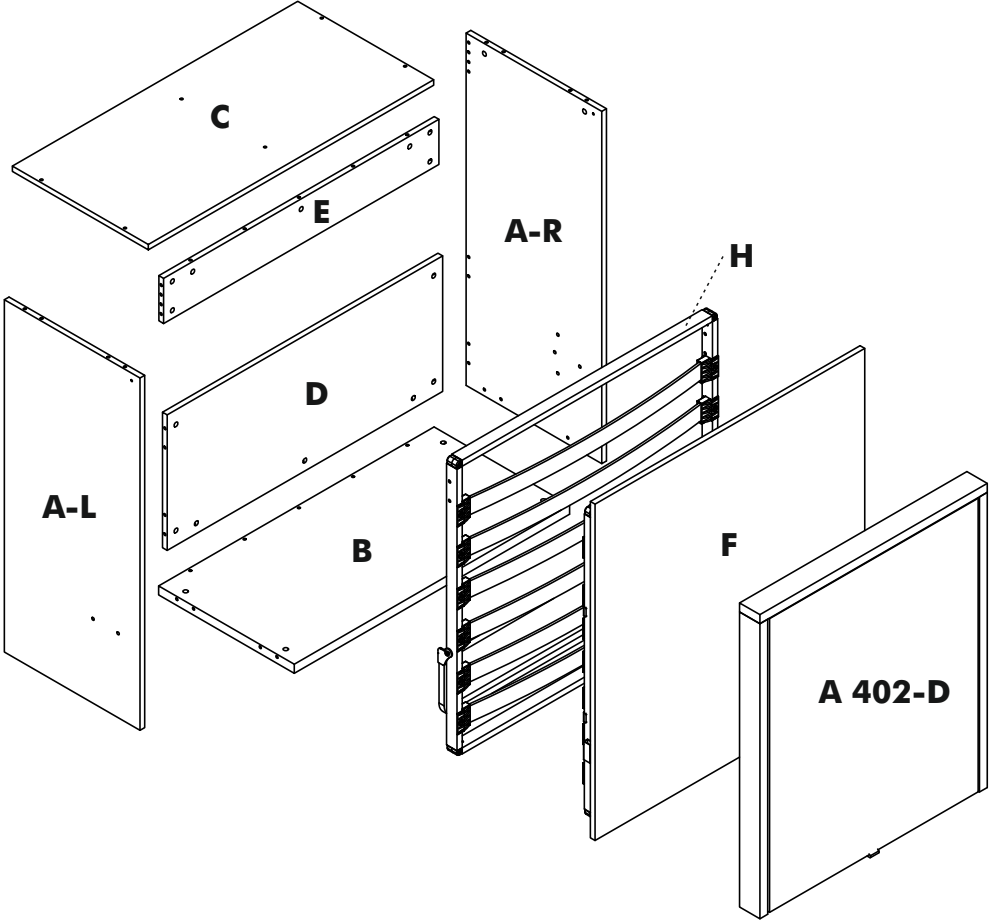


link

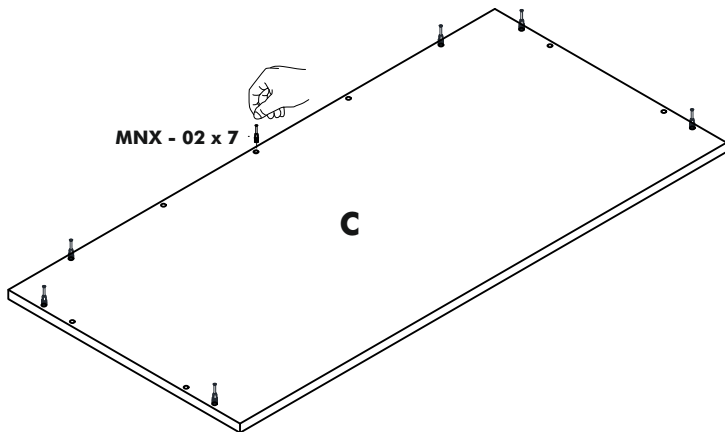
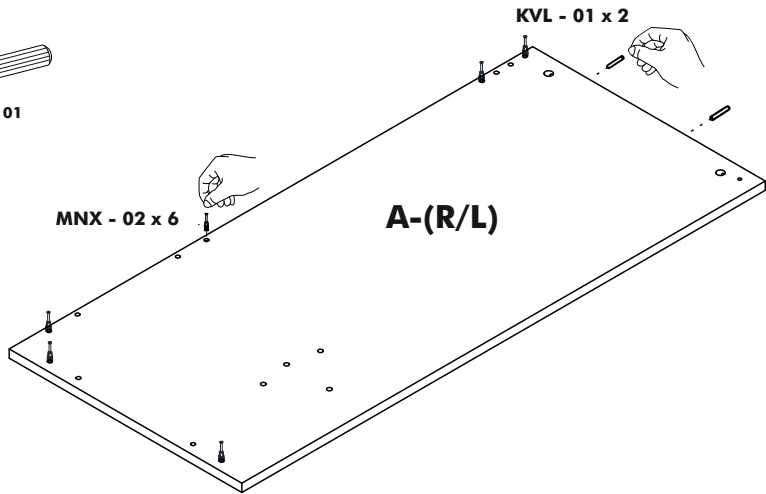
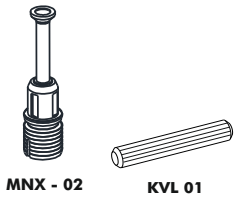
Track Title	Piece	(inch)			(mm)			
		Thickness	Length	Width	Piece	Thick	Height	Most
A-R / A-L	2	0,71	46,06	20,47	2	18	1170	520
B	1	1,18	41,57	20,47	1	30	1056	520
C	1	0,71	43,07	20,51	1	18	1094	521
D	1	0,71	41,57	17,72	1	18	1056	450
E	1	0,71	41,57	5,91	1	18	1056	150
F	1	0,71	43,98	40,71	1	18	1117	1034
A 402-D	2	3,07	39,76	34,33	1	78	1010	872

Accessories List

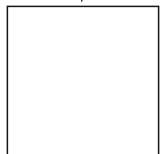
MXN 02  22 / piece	MNG - 01  22 / piece YSB - 01 (3,9x16) mm	KVL 01  20 / piece CT - 02 (6x30) mm	TAP - 01  22 / piece	KP - 01 (128) mm  1 / piece CTHY - 01 (4x20) mm
TAP - 03  6 / piece IM - 02 (6x20) mm	YSB - 01 (3,9x16) mm  4 / piece MKZ - 01 D	CT - 02 (6x30) mm  2 / piece PL - 04 (5x12x0,7) mm	OT-054  2 / piece CTM - 02 (8x35) mm	VTB - 01 (4x20) mm  2 / piece VTB - 02 (4,2x16) mm
IM - 02 (6x20) mm  4 / piece SC-99	MKZ - 01 D  1 / piece 300N	PL - 04 (5x12x0,7) mm  4 / piece SN - 02 (M8)	CTM - 02 (8x35) mm  8 / piece PL - 05 (8x16x2) mm	VTB - 02 (4,2x16) mm  8 / piece SC-100
SC-99  2 / piece VD - 03 (3,5x18) mm	OT 10  2 / piece DD - 01 (R10)	SN - 02 (M8)  10 / piece VD - 01 (6x70) mm	PL - 05 (8x16x2) mm  2 / piece DSE - 02	SC-100  2 / piece KMT-01
VD - 03 (3,5x18) mm  4 / piece KOR	DD - 01 (R10)  2 / piece TTC 01	VD - 01 (6x70) mm  2 / piece AL - 01 (4MM)	DSE - 02  2 / piece AL - 02 (5MM)	KMT-01  1 / piece SKT - 01
KOR  1 / piece	TTC 01  1 / piece	AL - 01 (4MM)  1 / piece	AL - 02 (5MM)  1 / piece	SKT - 01  4 / piece KLF - F (fabric cover)
CT - 03 (6x50) mm  4 / piece	SN - 01 (M6)  4 / piece	PL - 03 (6x12x1) mm  4 / piece	KLF - F (fabric cover)  1 / piece	



STEP 1

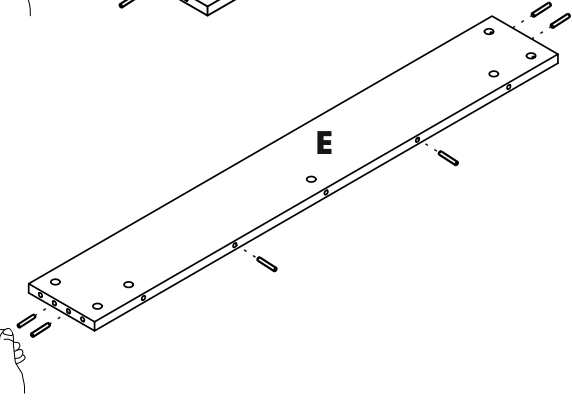
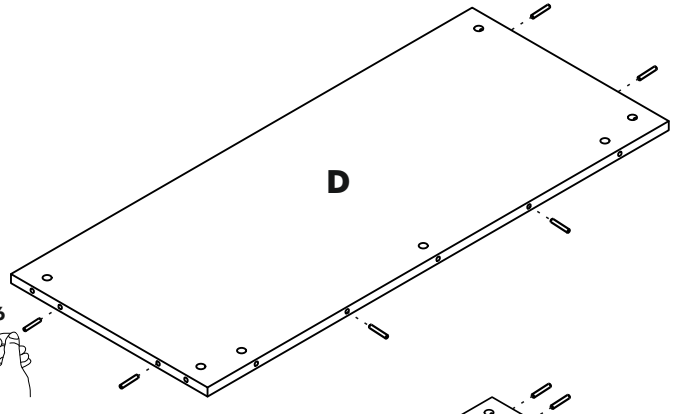
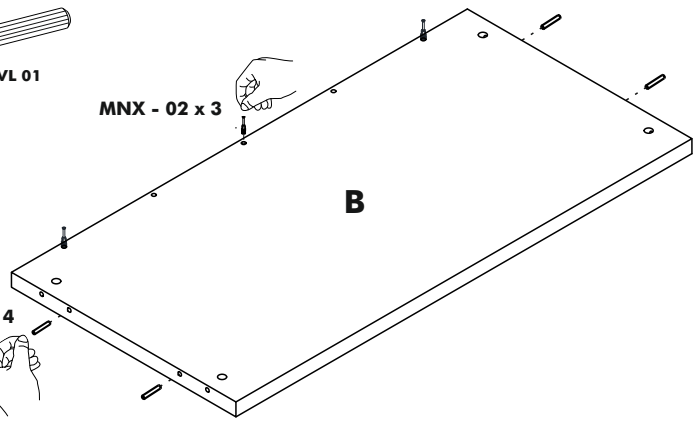
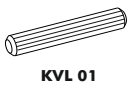


VIDEO

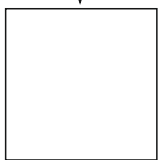


link

STEP 2



VIDEO

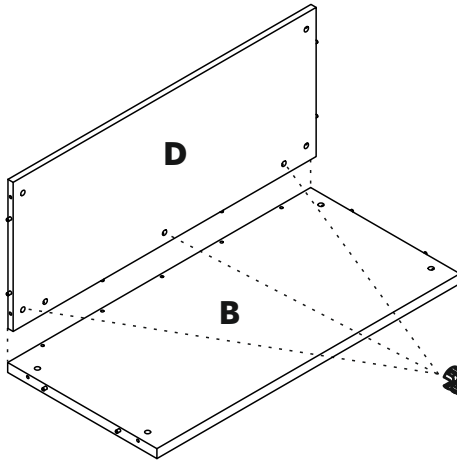


link

STEP 3



MNG - 01



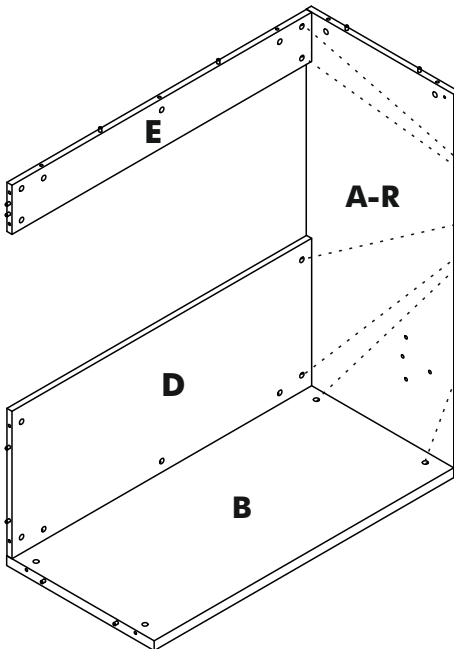
MNG - 01 x 3

210°

STEP 4



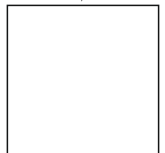
MNG - 01



MNG - 01 x 6

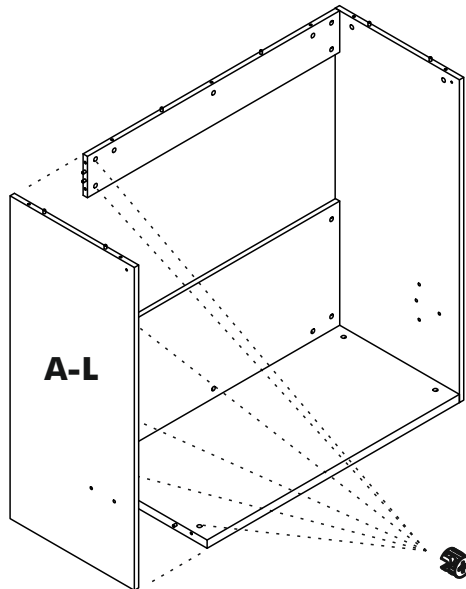
210°

VIDEO

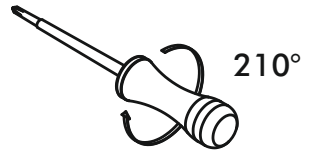


link

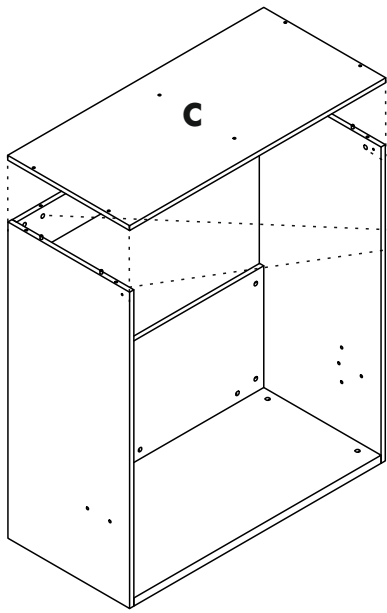
STEP 5



MNG - 01 x 6



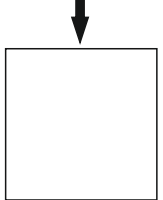
STEP 6



MNG - 01 x 7

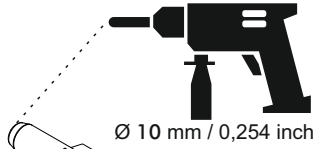


VIDEO



link

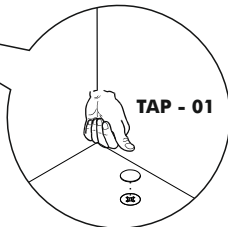
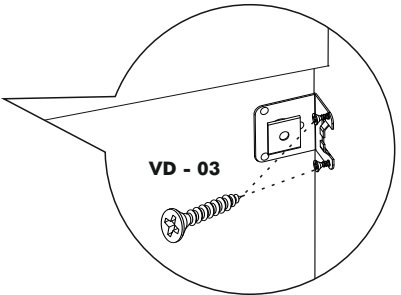
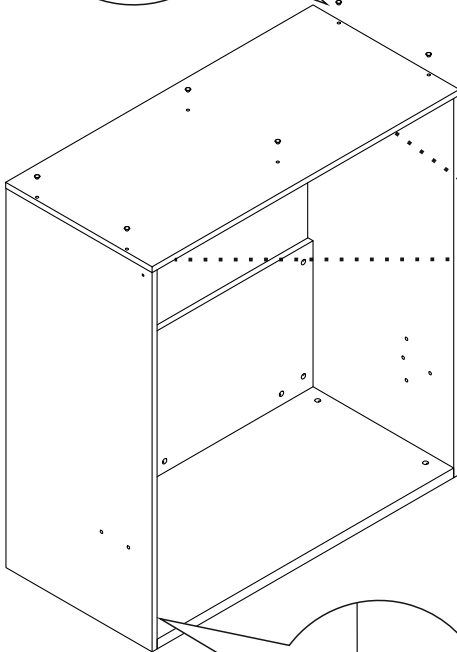
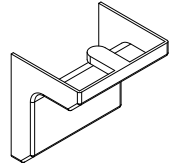
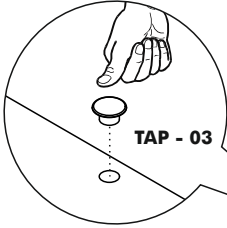
STEP 7



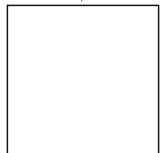
DD - 01

DSE - 02

VD - 01

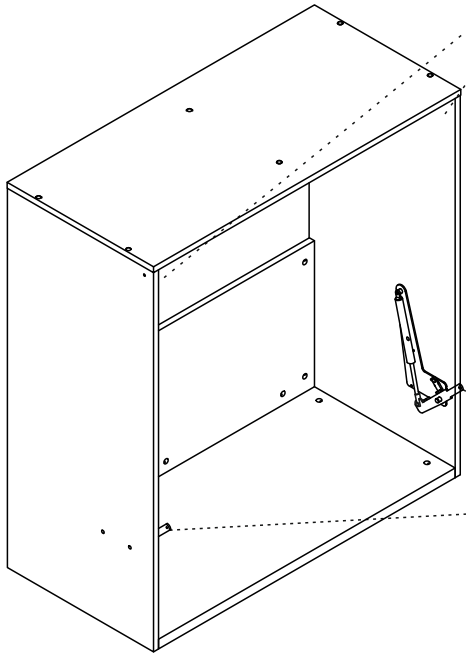
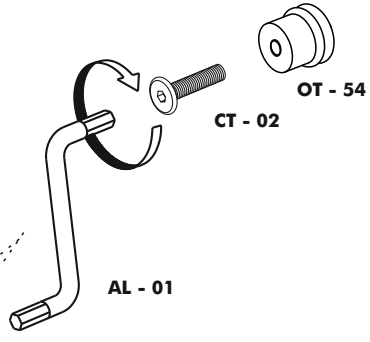


VIDEO

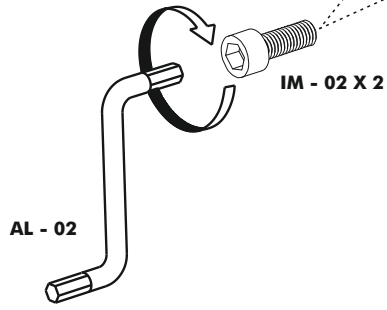
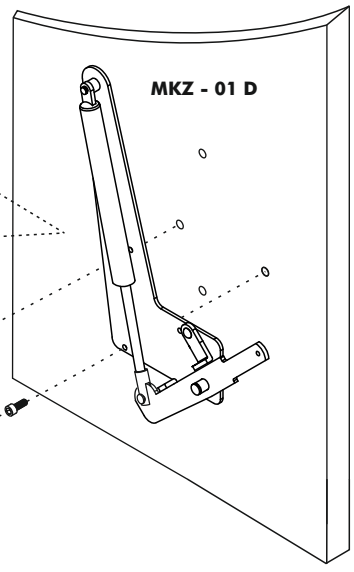


link

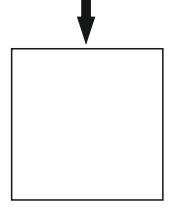
STEP 8



CAUTION
DO NOT UNLOCK BEFORE INSTALL



VIDEO

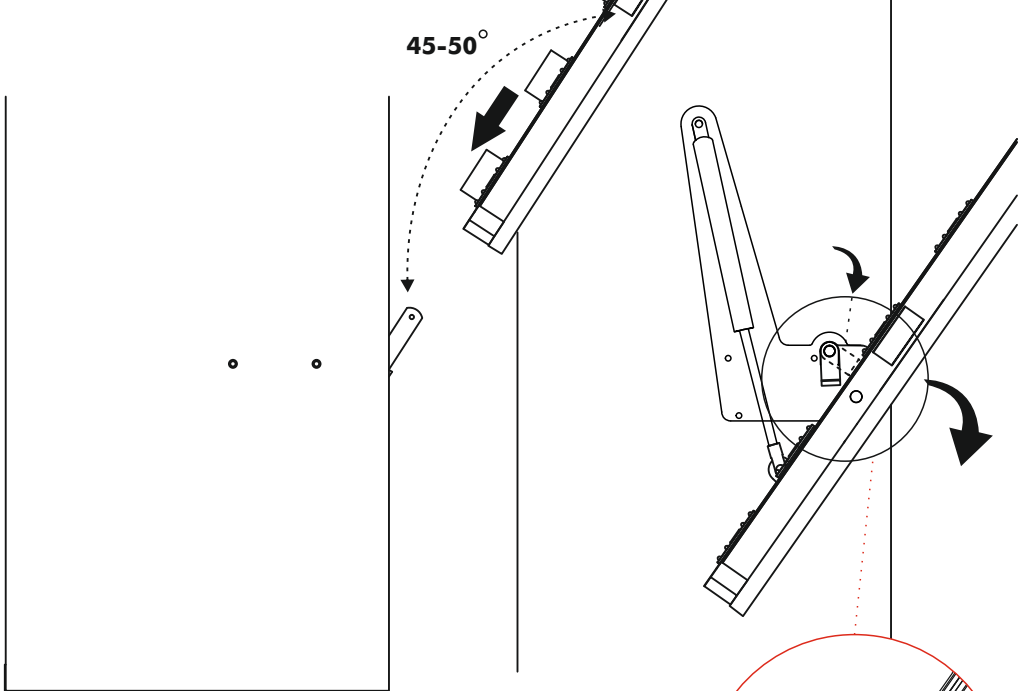


link

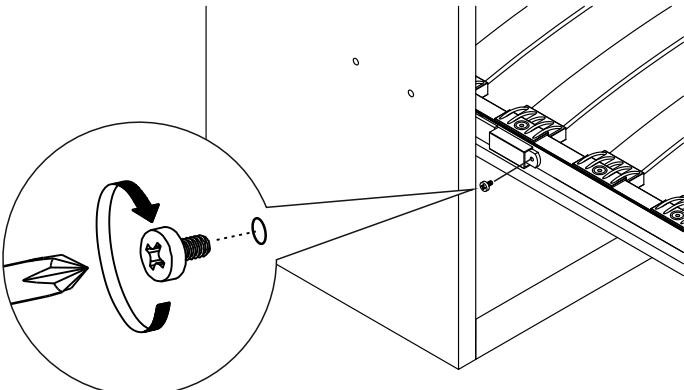
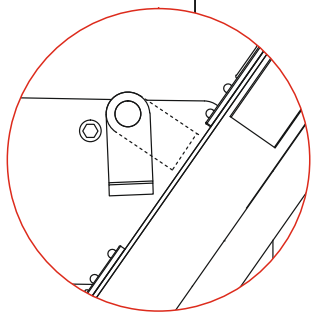
STEP 9

F

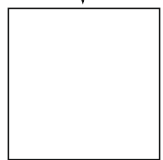
45-50°



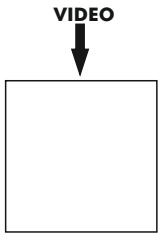
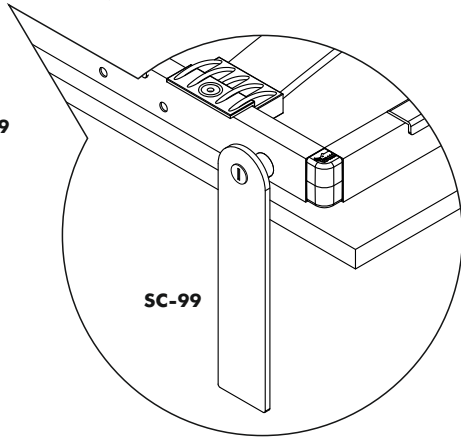
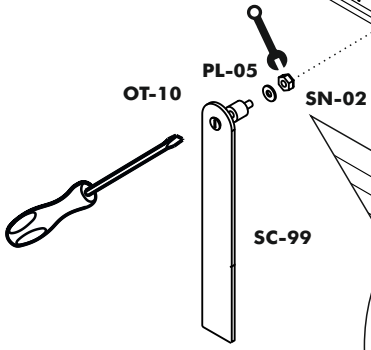
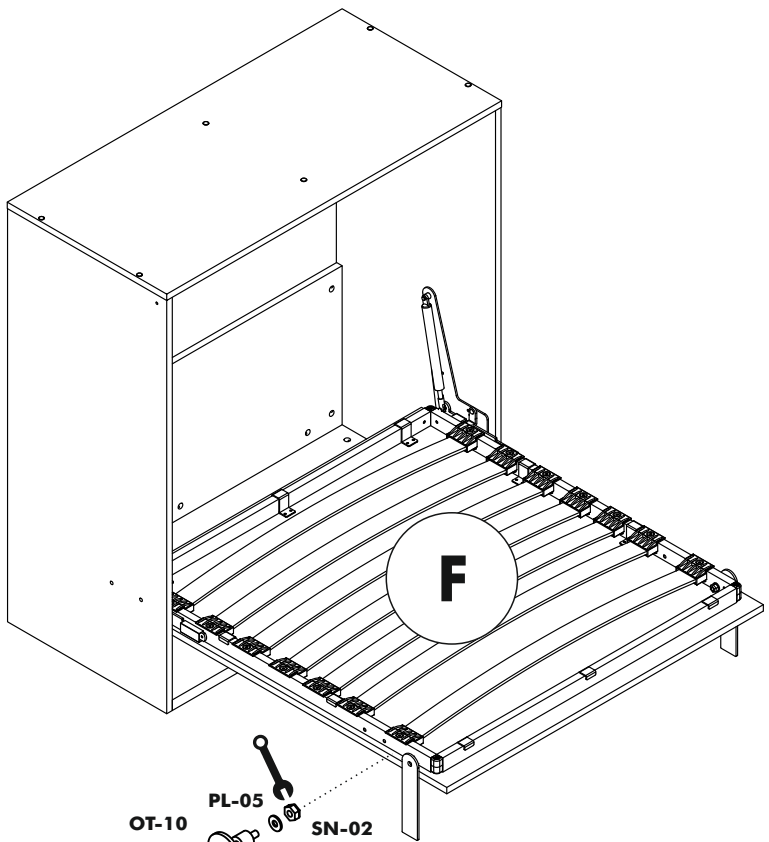
LET THE STOPPER LOCK MOVE DOWN !!!



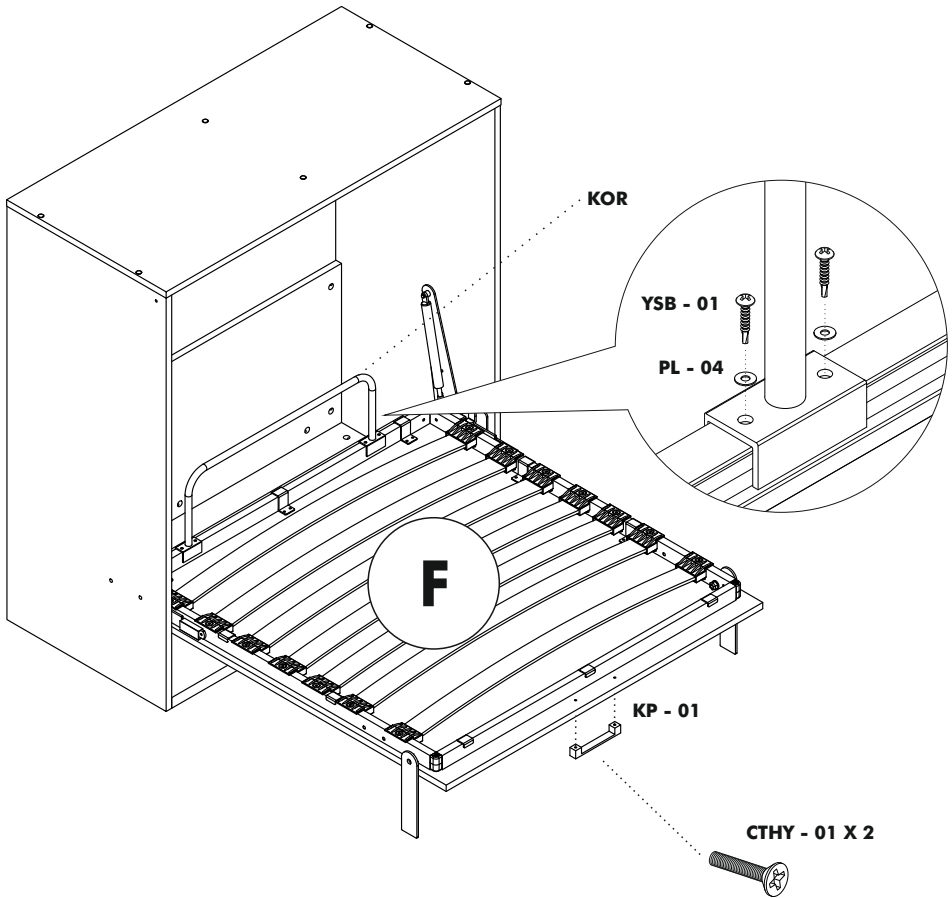
VIDEO



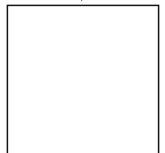
STEP 10



STEP 11

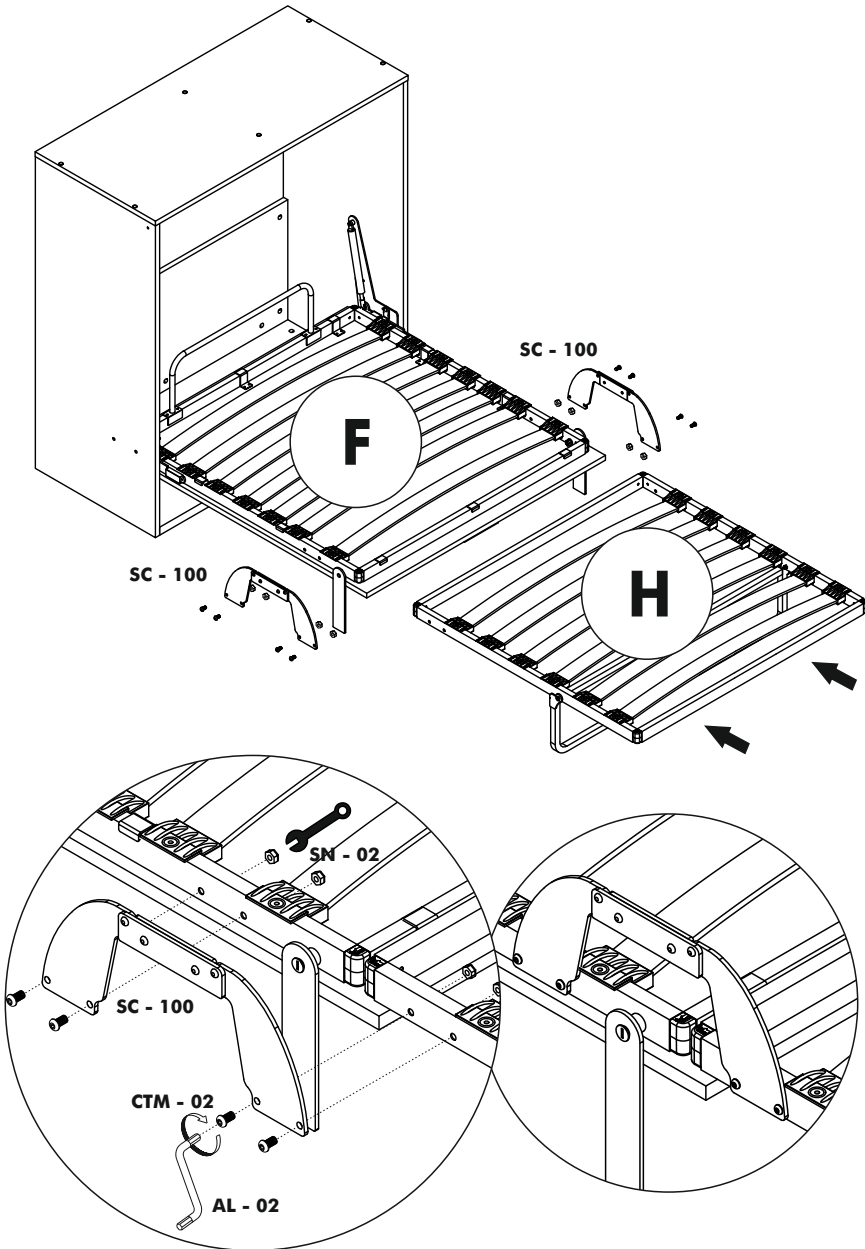


VIDEO

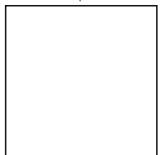


link

STEP 12

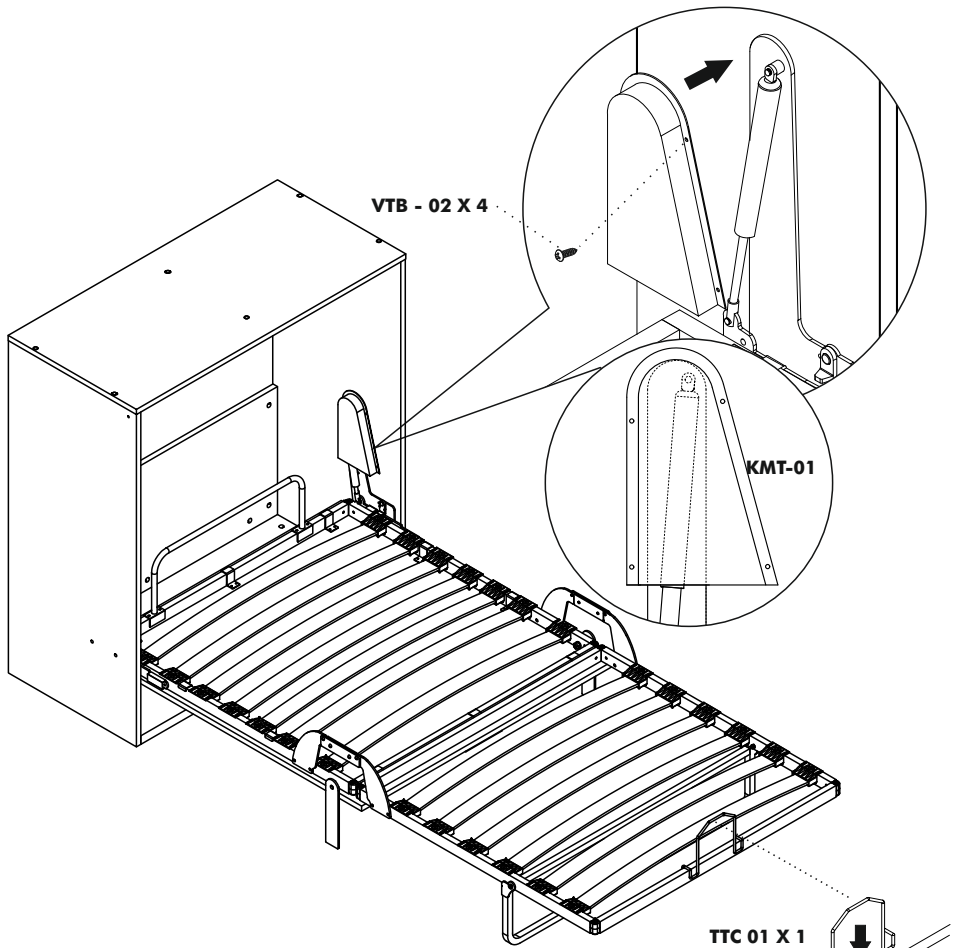


VIDEO

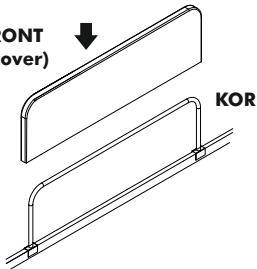


link

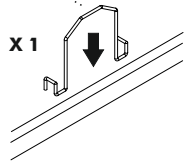
STEP 13



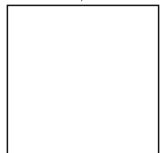
KLF -FRONT
(fabric cover)



TTC 01 X 1

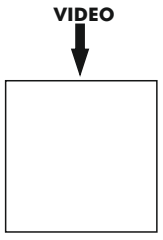
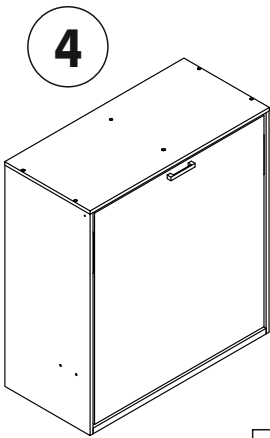
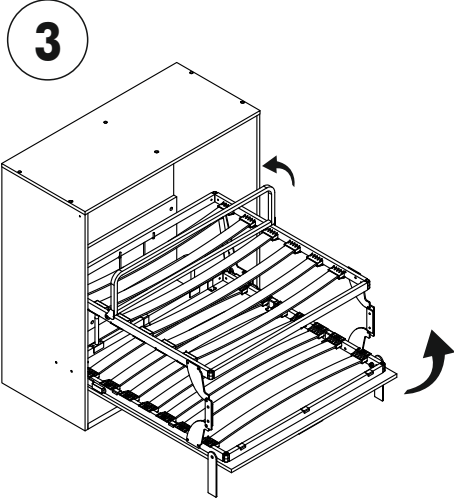
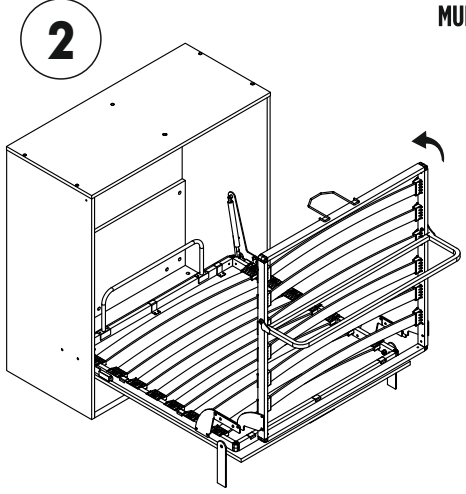
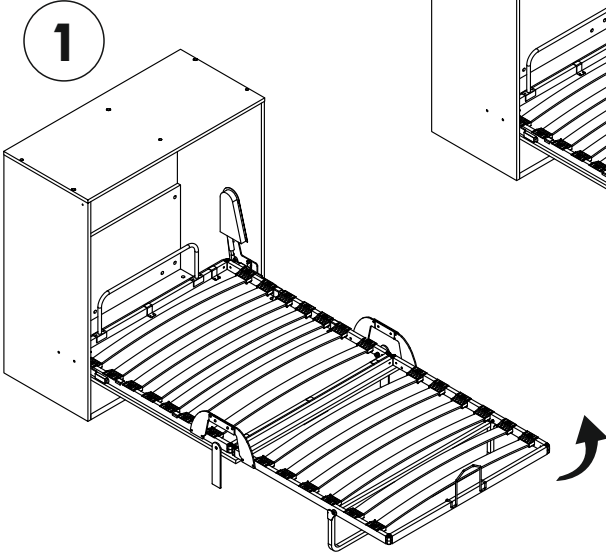


VIDEO

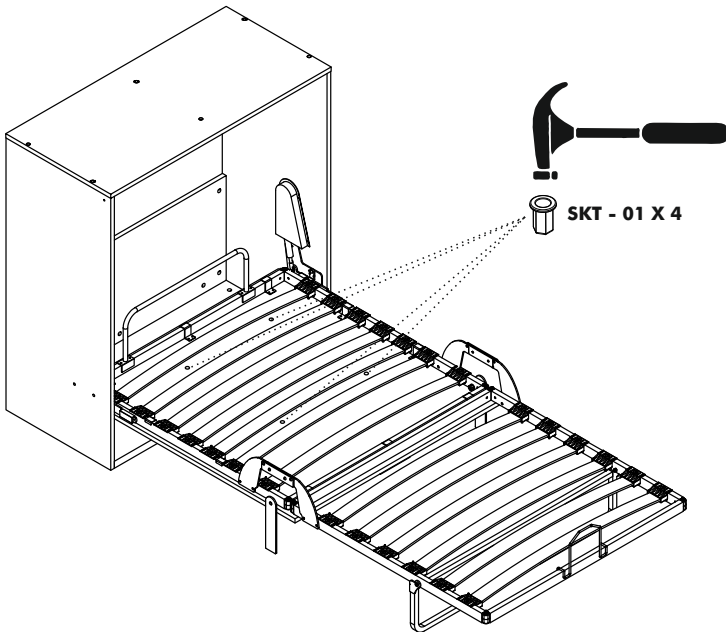
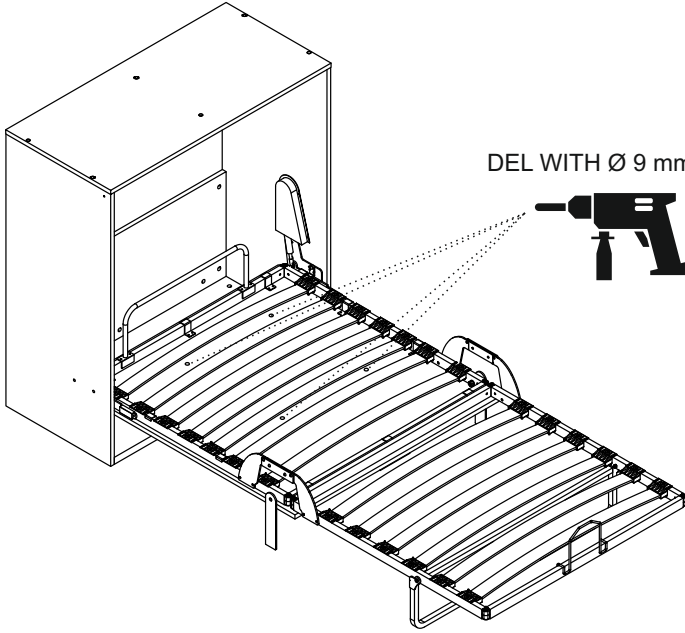


link

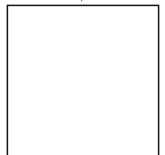
STEP 14



STEP 15

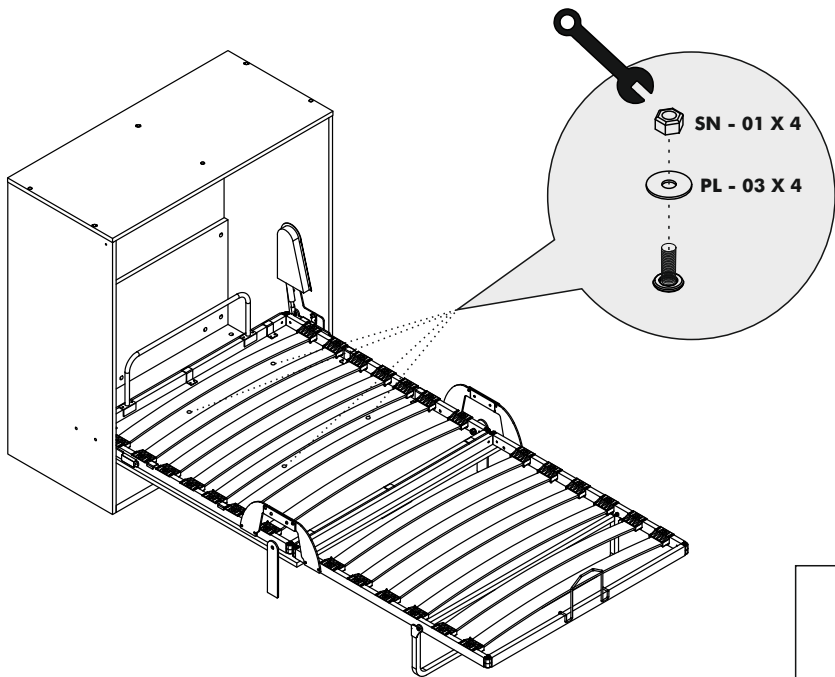
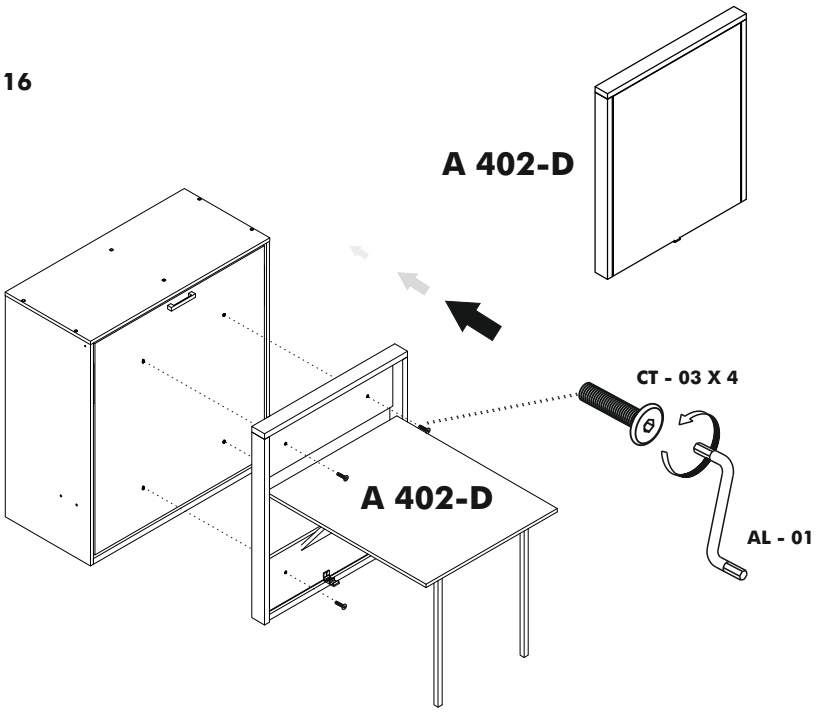


VIDEO

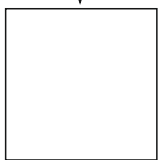


link

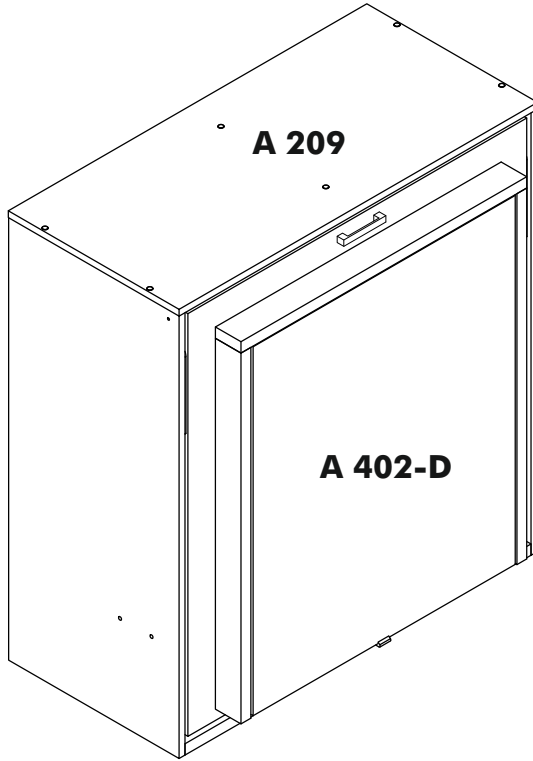
STEP 16



VIDEO



link



ATTENTION / HOW TO / READ ME / OWNER'S GUIDE

1. When mounting on a regular drywall, furniture must be fastened to wood or metal studs. Solid walls made of brick, concrete or similar strong material are also acceptable. Do not mount furniture to paper-mache or sheet rock like material without properly affixing to stud.
2. For safety and product longevity you must periodically inspect the mounting and mechanical connections for integrity and tightness. Confirm hardware remains properly affixed and connections snug.
3. Wall Bed mattress thickness may not exceed 8 inch. Take care to remove pillows and excess blankets before closing. Doing so keeps mechanism free of obstruction and unnecessary stress.
4. Do not lean or rest heavy objects on side or top of furniture. This may cause balance issues and compromise the integrity of your mounting connections.
5. Please use the furniture's beds, desks and shelving as intended. Not designed to be sat, stood, leaned, jumped (etc) on. Improper use may cause personal injury and damage to property.
6. With seasonal humidity change you must inspect interior and exterior of furniture.
7. Single, Twin, Twin XL beds accommodate the weight of one person. Improperly sleeping more than one person risks injury to person and damage to property.
8. Before any un-mounting or disassembly please contact Multimo for technical support and instruction. Failure to properly detach risks injury to person and damage to property.
9. For Bunk Beds:
 - a. Always use provided ladder when accessing top bunk.
 - b. Be slow, careful and aware of surroundings when opening top bunk.
 - c. Do not horseplay. Beds are to be slept on only.
 - d. Some have legs that fully extend when open- be aware of where the leg is and will be.



www.multimobeds.com